

Reissued: 16-Mar-04

Model: Dolphin 2 nd Roll Tray	Date: 07-Aug-01	No.: MB340001a
--	-----------------	----------------

MB Correction

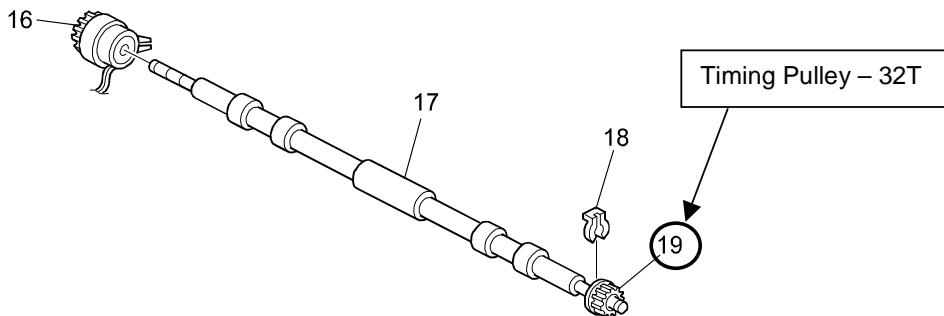
The items in ***bold italics*** have been added.

Modified Article: Parts Catalog		Prepared by: F.Noguchi	
From: 2nd Tech. Support Sec. Service Support Dept.			
Reason for Modification:	<input checked="" type="checkbox"/> Parts catalog correction	<input type="checkbox"/> Vendor change	<input type="checkbox"/> To meet standards ()
	<input type="checkbox"/> To facilitate assembly	<input type="checkbox"/> To improve reliability	
	<input type="checkbox"/> Part standardization	<input type="checkbox"/> Other	

The timing pulley had been deleted due to a parts catalog correction. However, as per a field request, this part has been registered as a service part.

2nd Tray Unit (Page 9)

Part number	Description	Q'ty	Page	Index
<i>AB030679</i>	<i>Timing Pulley – 32T</i>	<i>1</i>	<i>9</i>	<i>19</i>

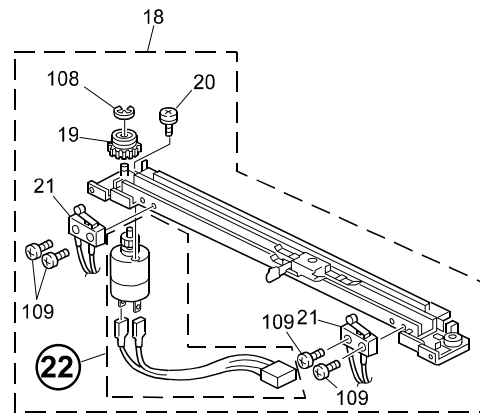
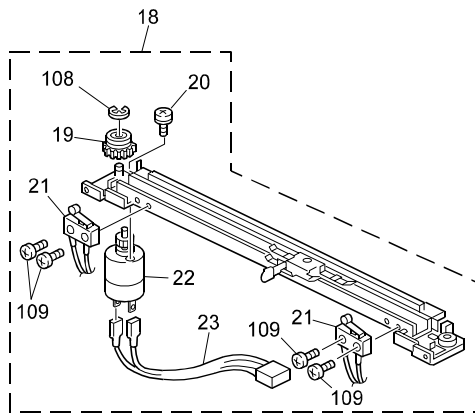


Model: 2nd Roll Tray TypeA for Dolphin	Date: 6-Oct-03	No.: MB340002
--	----------------	---------------

Modified Article: DC Motor – DC24V 7.18W		Prepared by: F.Noguchi	
From: 2nd Tech. Support Sec. Service Support Dept.			
Reason for Modification:	<input type="checkbox"/> Parts catalog correction	<input type="checkbox"/> Vendor change	<input type="checkbox"/> To meet standards ()
	<input type="checkbox"/> To facilitate assembly	<input type="checkbox"/> To improve reliability	
	<input type="checkbox"/> Part standardization	<input checked="" type="checkbox"/> Other	

To facilitate servicing, the DC Motor service part has been changed to include the harness and gear.

Old part number	New part number	Description	Q'ty	Int	Page	Index	Note
AX050092	B0102836	DC Motor – DC24V 7.18W	1 - 0	X/	7	22	
B0102836		Motor Harness	1 - 0	X/	7	23	
	B0102852	DC Motor: DC24V 7.18W	0 - 1	/O	7	22	



Model: Dolphin 2nd Roll Tray		Date: 18-Dec-03	No.: MB340003
Modified Article: Middle Holder - Paper Holder		Prepared by: F.Noguchi	
From: 2nd Tech. Support Sec. Service Support Dept.			
Reason for Modification:	<input checked="" type="checkbox"/> Parts catalog correction	<input type="checkbox"/> Vendor change	<input type="checkbox"/> To meet standards ()
	<input type="checkbox"/> To facilitate assembly	<input type="checkbox"/> To improve reliability	
	<input type="checkbox"/> Part standardization	<input type="checkbox"/> Other	

The following has been changed due to parts standardization with the new model.

Old part number	New part number	Description	Q'ty	Int	Page	Index	Note
B0102794	B6412794	Middle Holder – Paper Holder	1 - 1	O/O	7	10	
		Holder: Paper Holder: Middle					